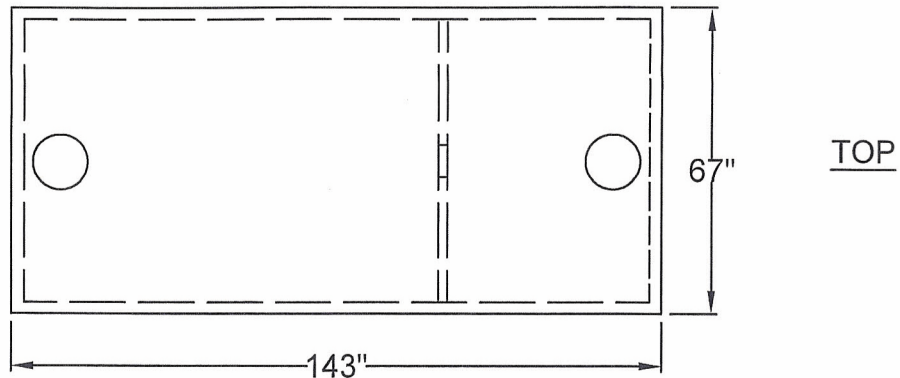
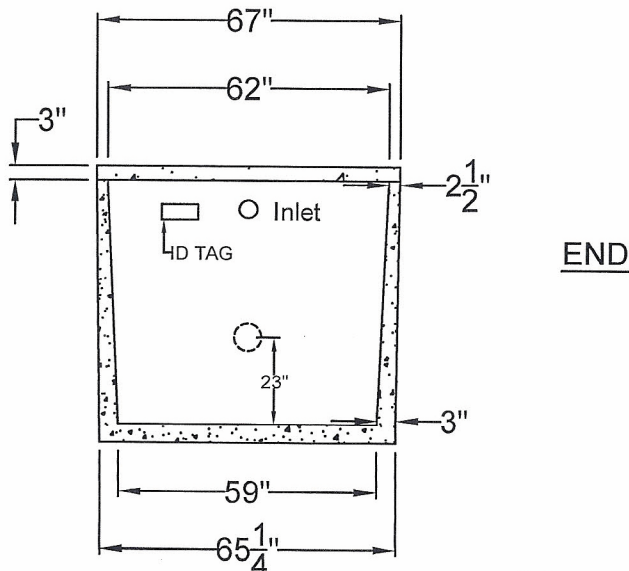
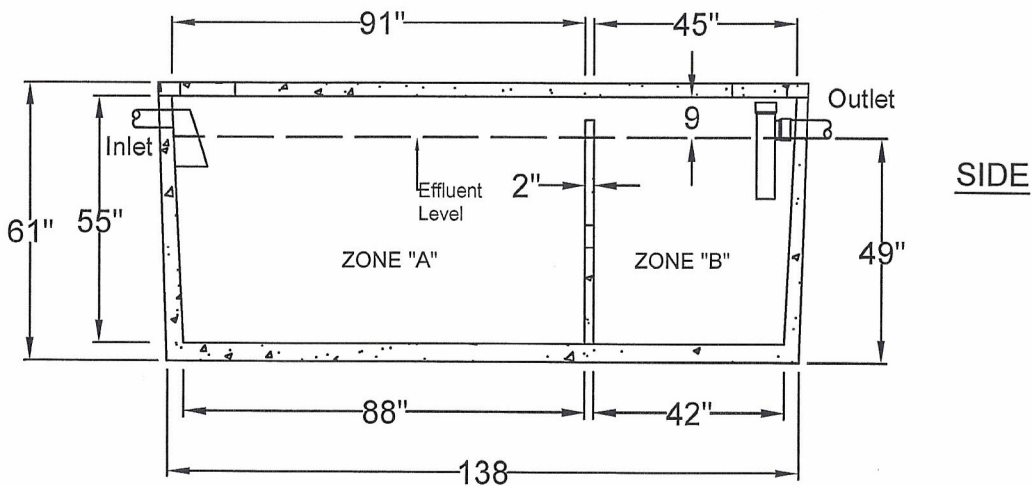


SCIOTO VALLEY PRECAST COMPANY

3218 S. BRIDGE STREET CHILLICOTHE, OH 45601 PHONE (740) 663-2659



Bottom of inlet to bottom of tank is 51"



Concrete 5000 PSI @ 28 Days
 All Dimensions in Inches
 Max cover on top of tank 48"
 Inlet/Outlet boots for 4" pipe
 Boots: Meet ASTM C923
 Sealant: Meets ASTM C990
 Outlet Filter: Meets ANSI/NSF 46

Plant Assembled

Note:

Excavation Size
 7'-0"x13'-0" Min.

WEIGHT: 12,500 lbs